


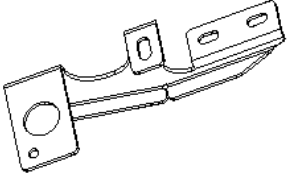
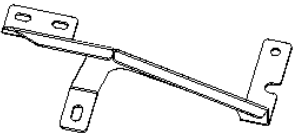
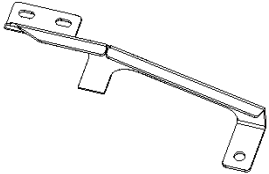
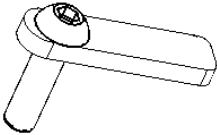
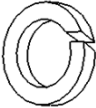
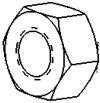
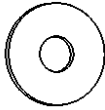
## Item No : PW018080

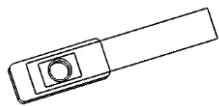
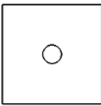
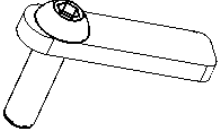


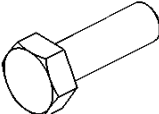
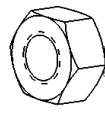
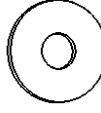

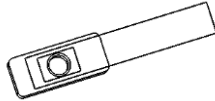
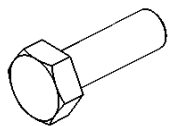
### Item : OE STYLE RUNNING BOARD FOR VW TOUAREG 2015+

Notice:

- ≡ All pictures of this instruction only for reference; the final received products might have different with the picture, regarding to the same installation.
- ≡ For your convenient, please read the detail as following instruction in order to protect the surface and prevent the scratch damage while installing.
- ≡ Please periodically check and retighten all the hardware for keeping safe.

Parts list:

No	Qty	Photos	No	Qty	Photos
①	2	 Running board	②	2	 Front Brackets ( symmetrical )
③	2	 Middle brackets ( symmetrical )	④	2	 Rear brackets ( symmetrical )
⑤	2	 T-bolts No.3 M8	⑥	2	 Spring washers D8
⑦	2	 Nuts M8	⑧	2	 Large washers D8

⑨	2	 M10 Universal T-bolts (with nut unit)	⑩	6	 Plastic washers φ10
⑪	6	 T-bolts No.2	⑫	8	 Large washers D10
⑬	8	 Spring washers D10	⑭	2	 Hex bolts M10_30
⑮	6	 Nuts M10	⑯	2	 Large washers D12
⑰	2	 Spring washer D12	⑱	2	 M12 Universal T-bolts(with nut unit)
⑲	2	 Hex bolt M12_30			

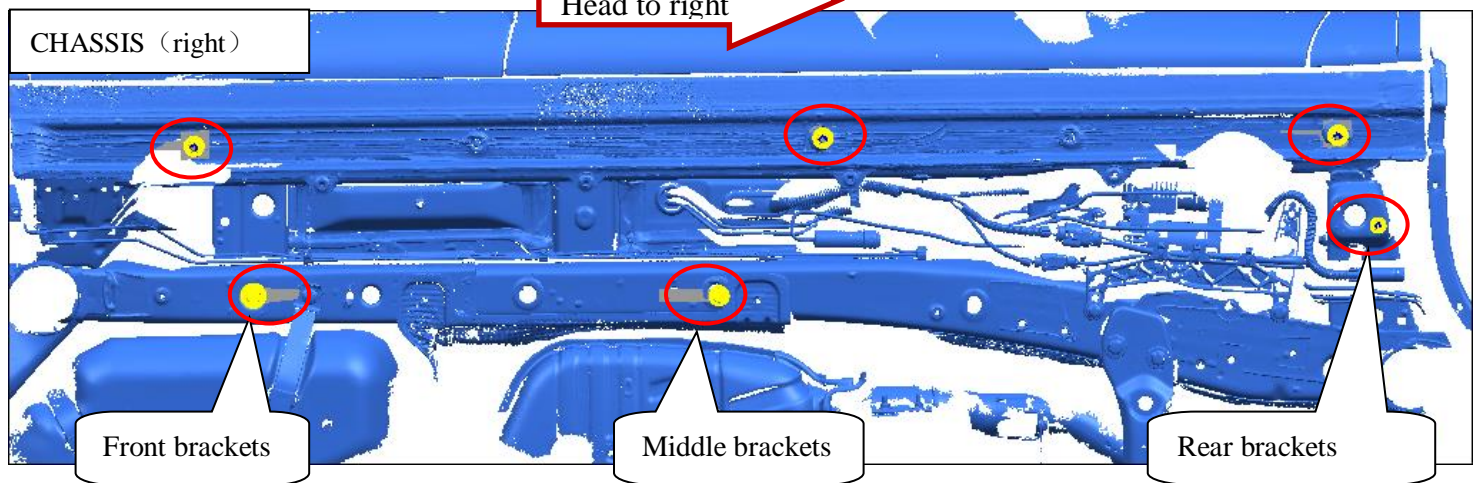
Step of installation(INSTRUCTION IS UNIVERSAL FOR BOTH SIDE, HERE BY DESCRIPTION ONLY FOR ONE SIDE.)

Step 1 : Check all the accessories refer to the instruction and define the accessories to correct position in accordance with the cab's direction

Step 2 : Take off the chassis plate and keep it safe ;

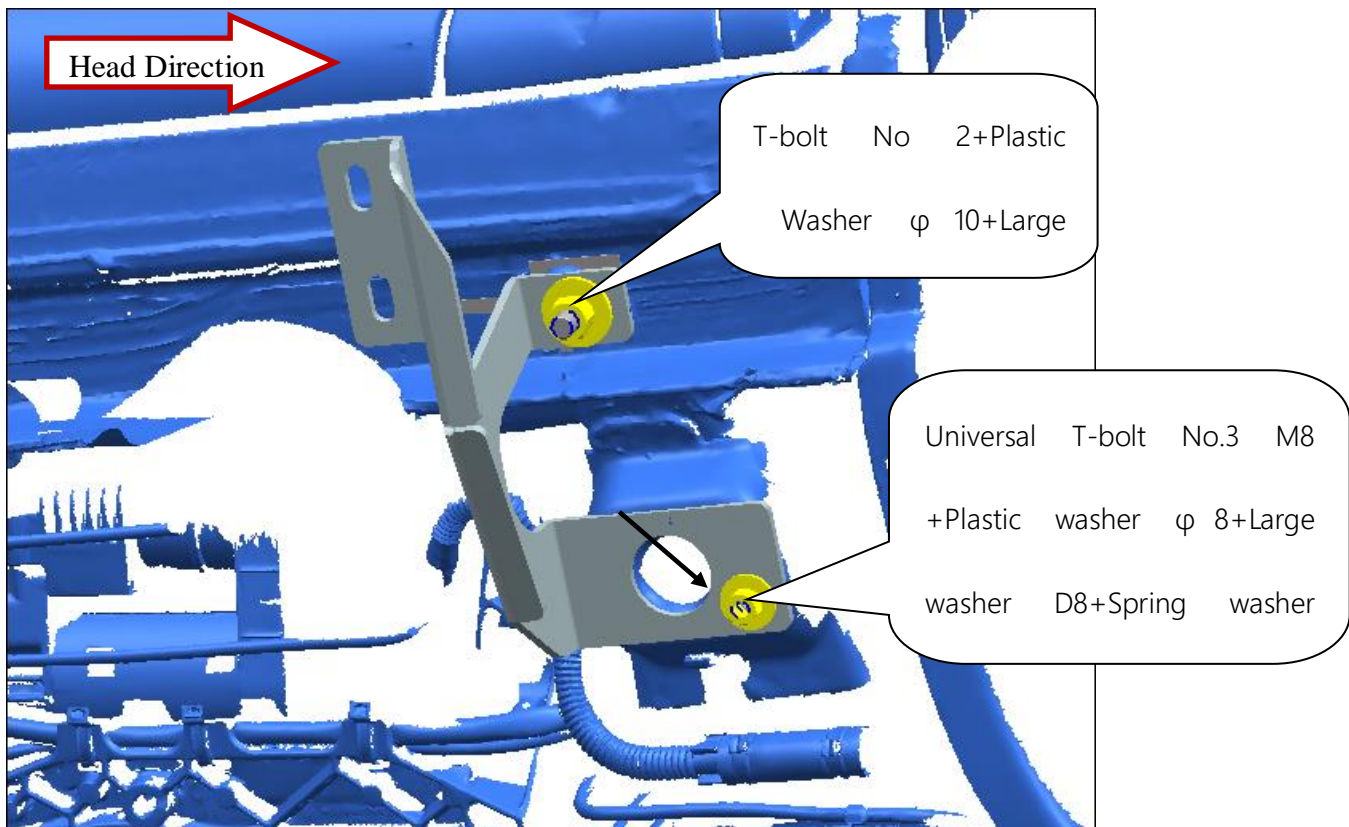
Step 3 : Take off the relevant holes and buckles under chassis as bellow picture and keep it safe.

1) INSTALLATION OF BRACKETS ;



2 ) Installation of front brackets ( symmetrical )

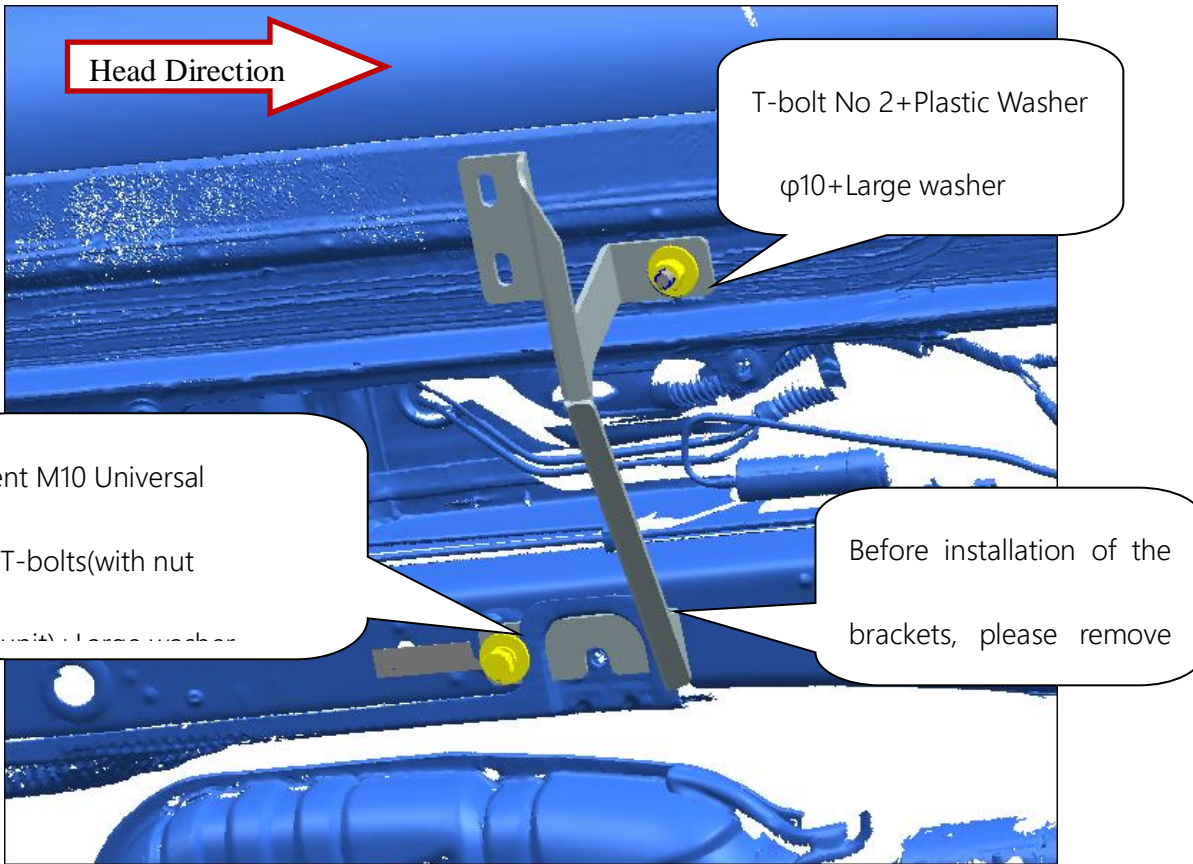
Attach Plastic washers  $\phi 10$  with T-bolt No2/No3 M8 to the holes as bellow picture: Put the brackets onto the chassis and lock him with relevant washer、 bolts and nuts. Please do not tight them up temporary.



3 ) Installation of middle brackets ( symmetrical )

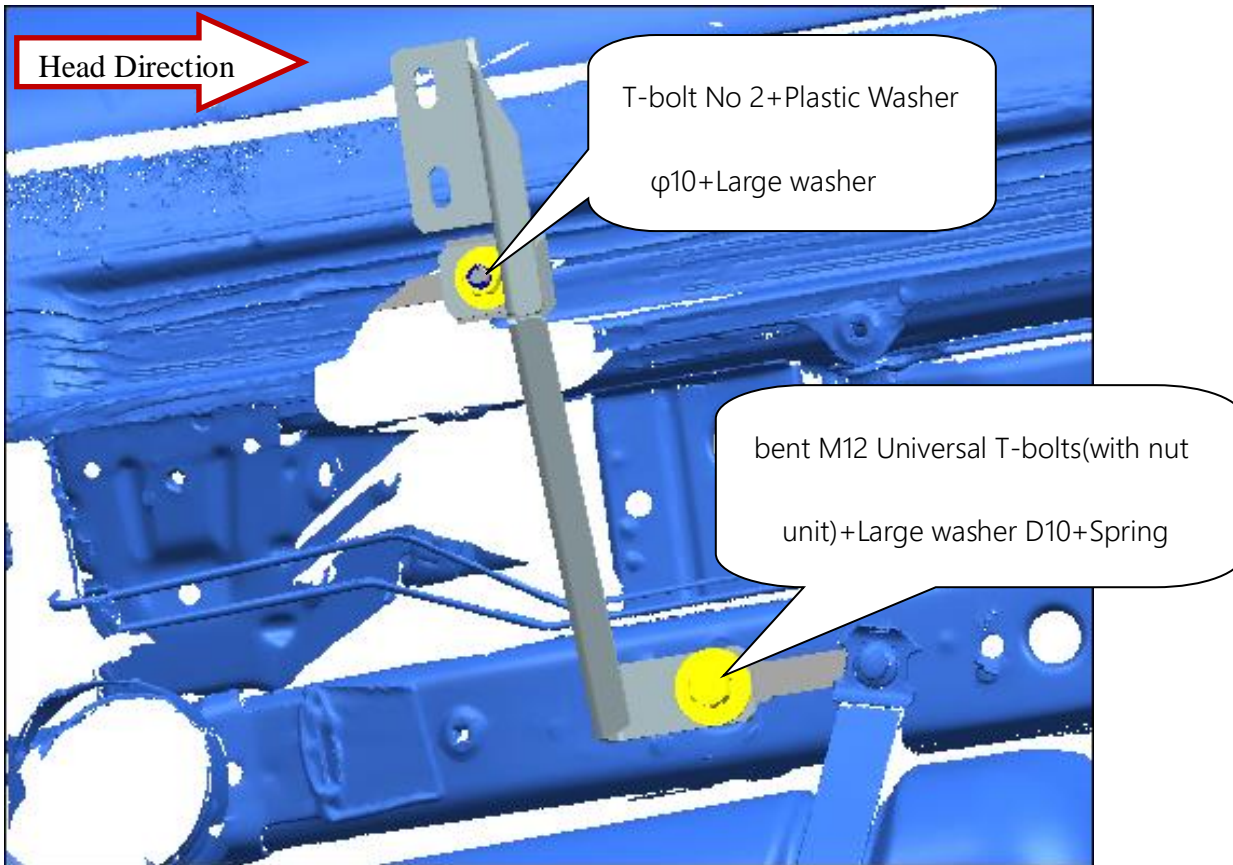
Attach Plastic washers  $\phi 10$  with T-bolt No2, “bent M10 Universal T-bolts(with nut unit)” to the holes as bellow picture:

Put the brackets onto the chassis and lock him with relevant washer、bolts and nuts. Please do not tight them up temporary.



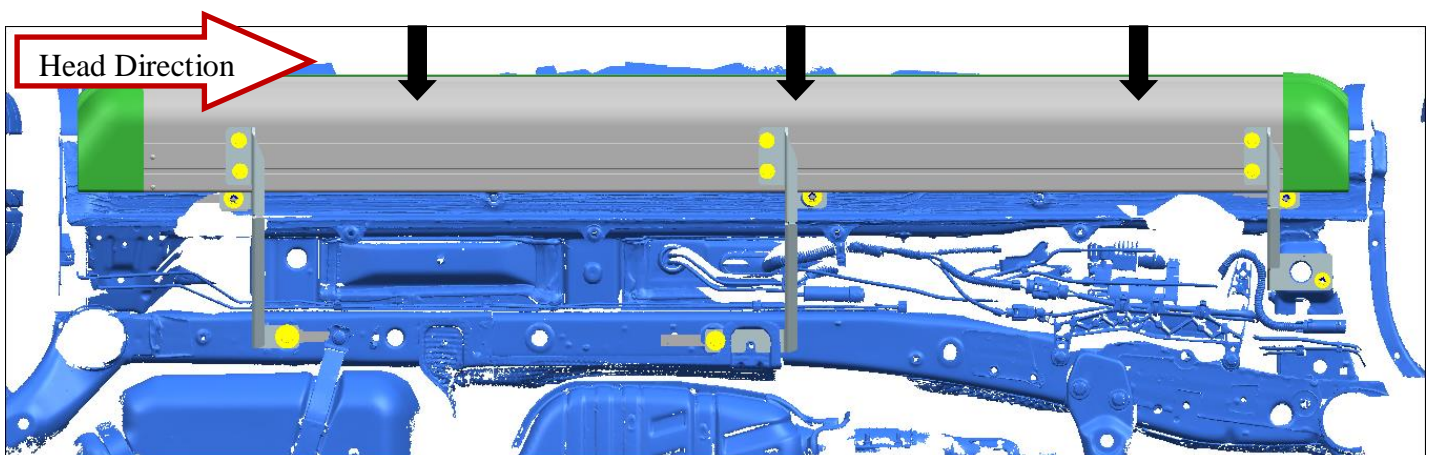
4 ) Rear brackets installation ( Symmetrical )

Attach Plastic washers  $\phi 10$  with T-bolt No2, “bent M12 Universal T-bolts(with nut unit)” to the holes as bellow picture:  
Put the brackets onto the chassis and lock him with relevant washer、bolts and nuts. Please do not tight them up temporary.



Step 4 : Installation of Running board

Attach the running board on the brackets and adjust it into perfect position; After that you can use Hex bolts M8\_20、Large washer D8、 Spring washer D8 to tight up the running board and brackets(those nuts and bolts has been attached on the running board.)



Step 5 : Recover the chassis's plate back to the car and mark those places with pencil in order to cut with free space to contain running board.

Step 6 : Check all bolt weather they has been fasten; Packing up and Installation completed

Any damages and losses caused by improper installation and application, goes beyond our quality warranty.